

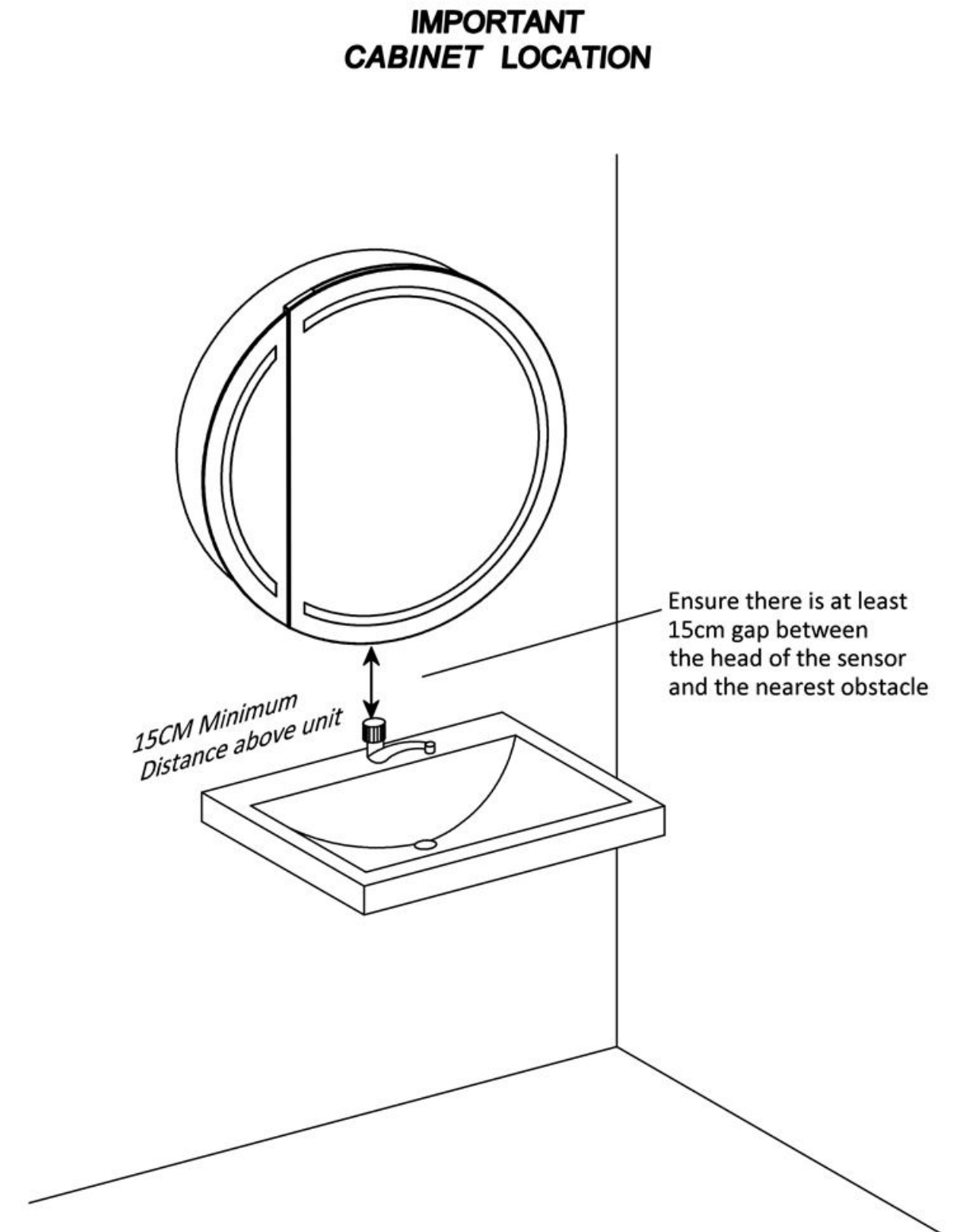
## Dear Customer

### **Very important Please Note:**

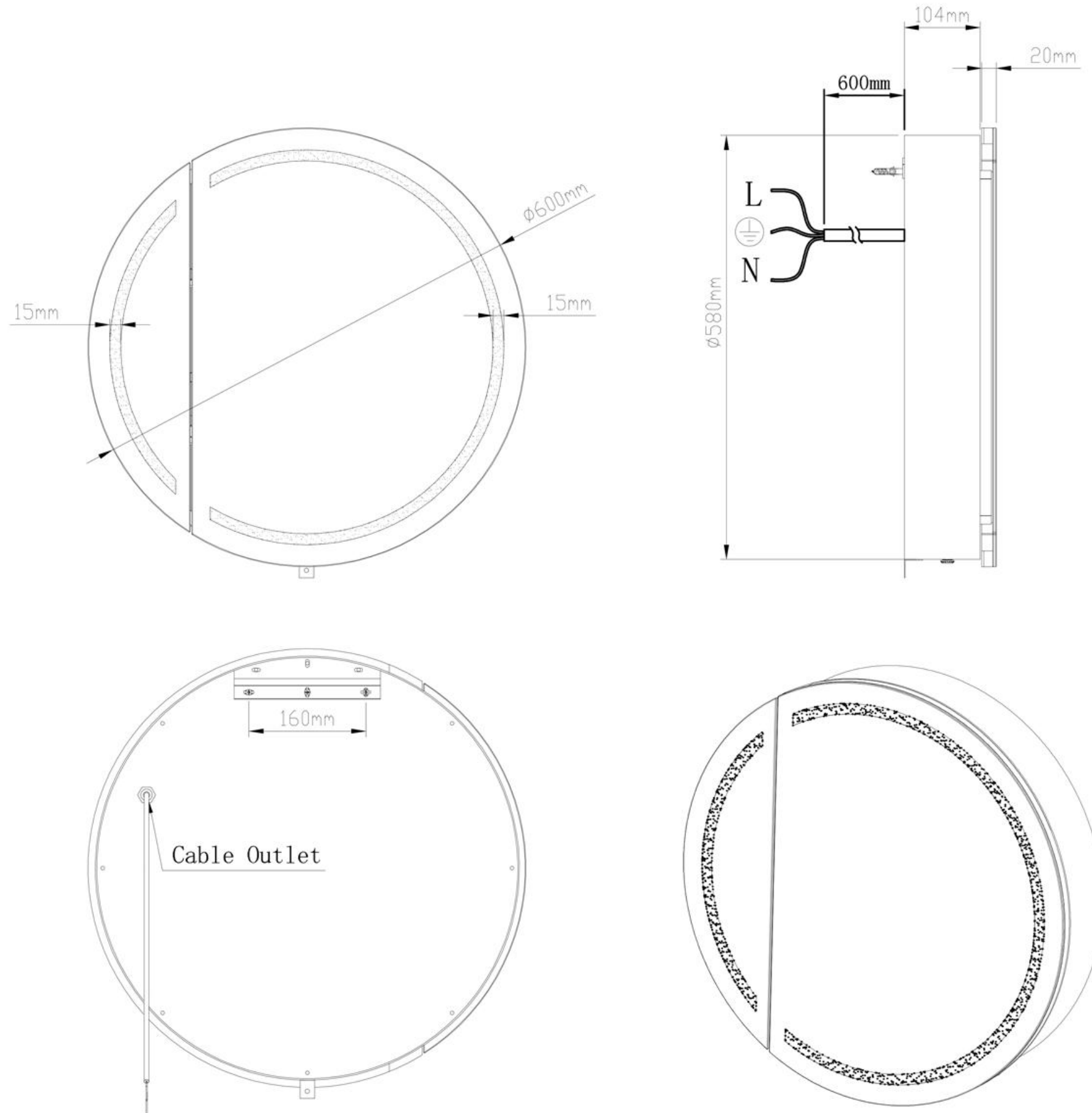
Your new cabinet has an Infra-red sensor on the bottom of the rear carcass.

There needs to be at least a 15cm gap between the head of the sensor and the nearest obstacle, a wall for example.

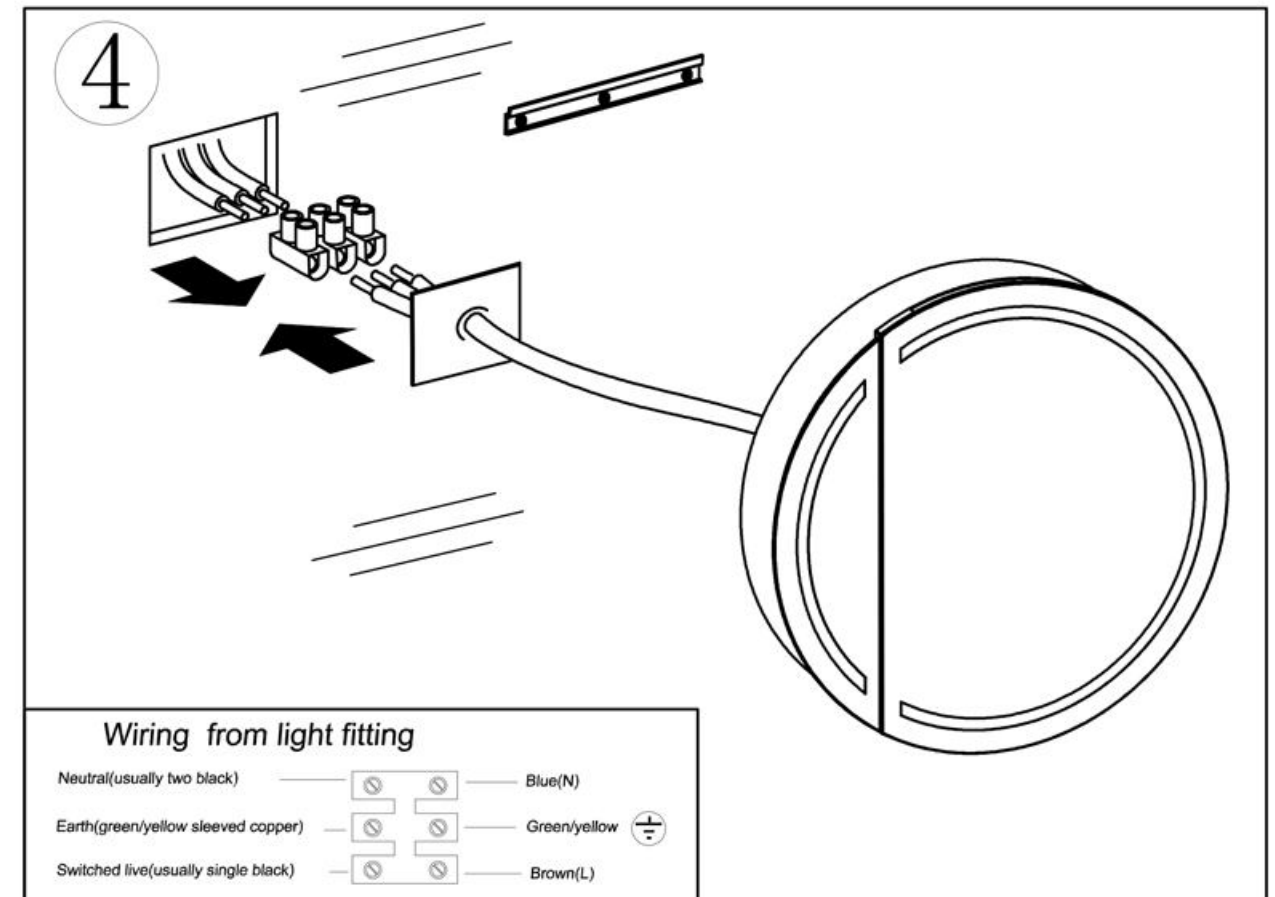
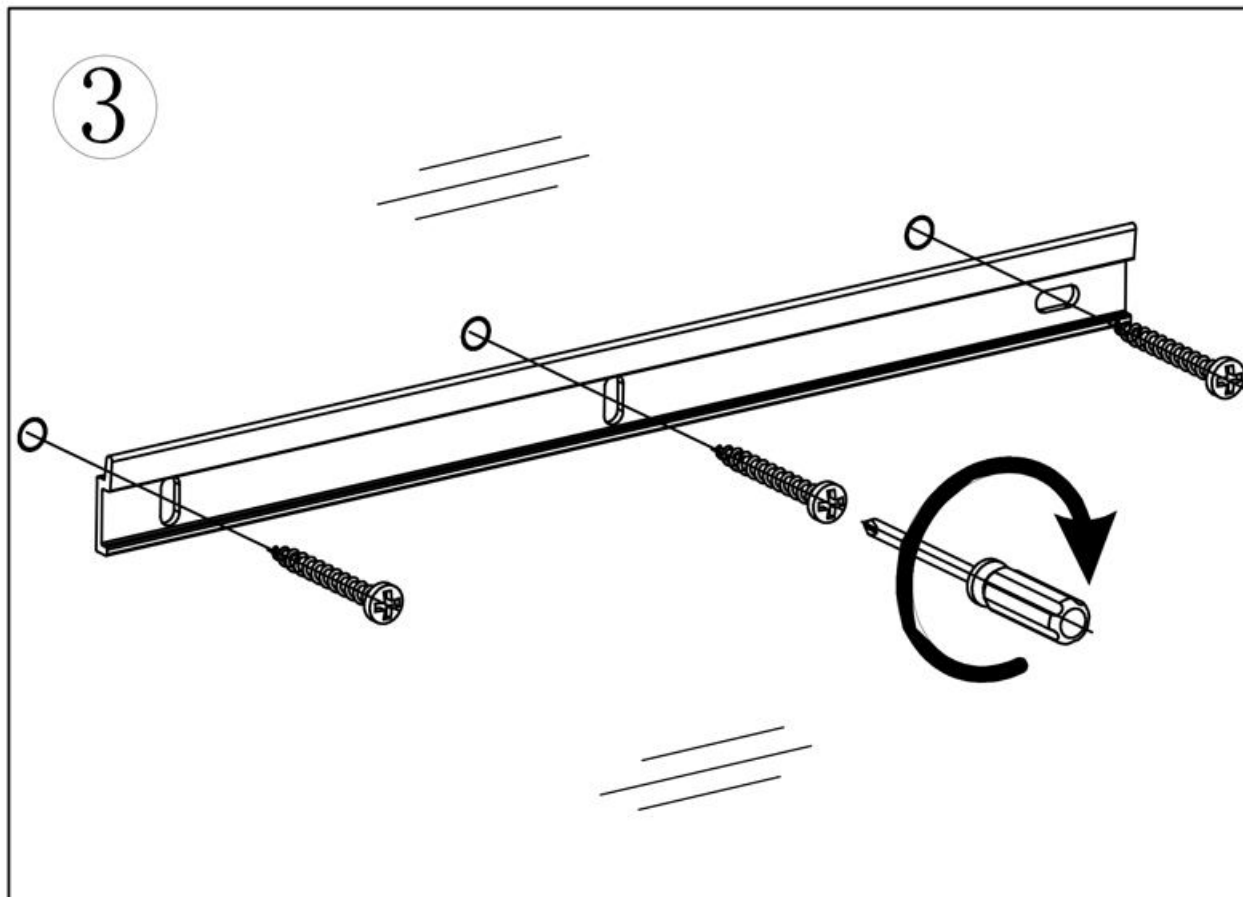
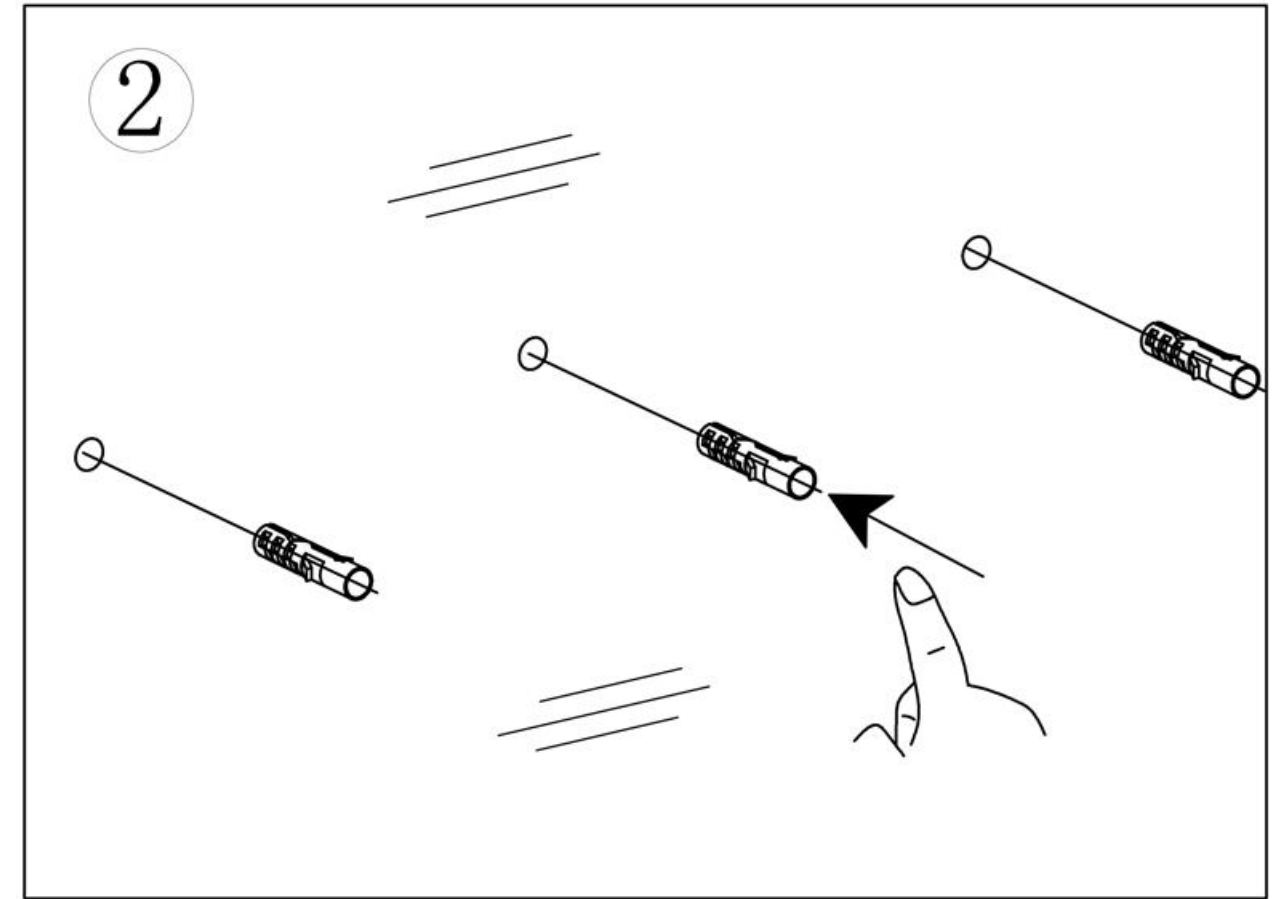
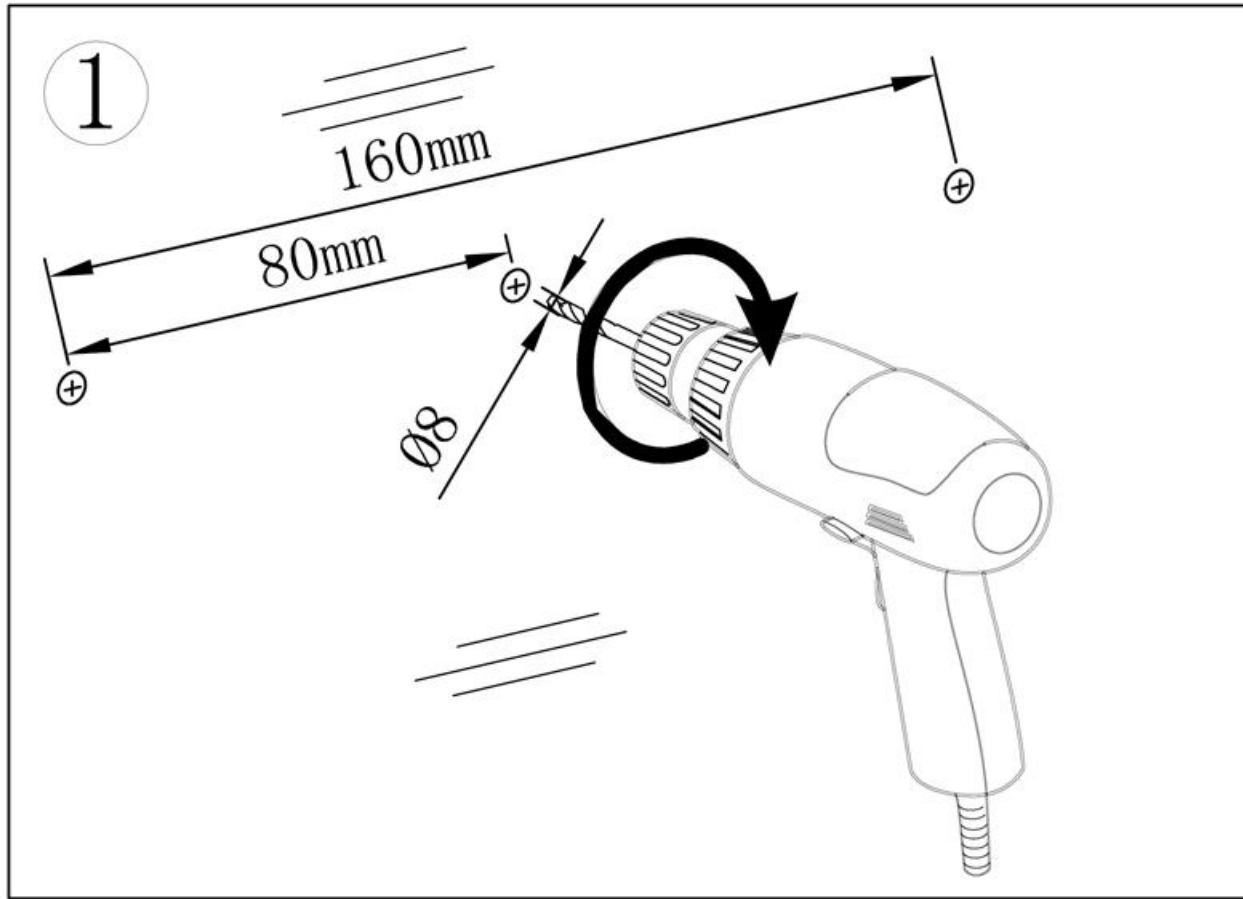
If the gap is less than 15cm then your sensor will not work properly!

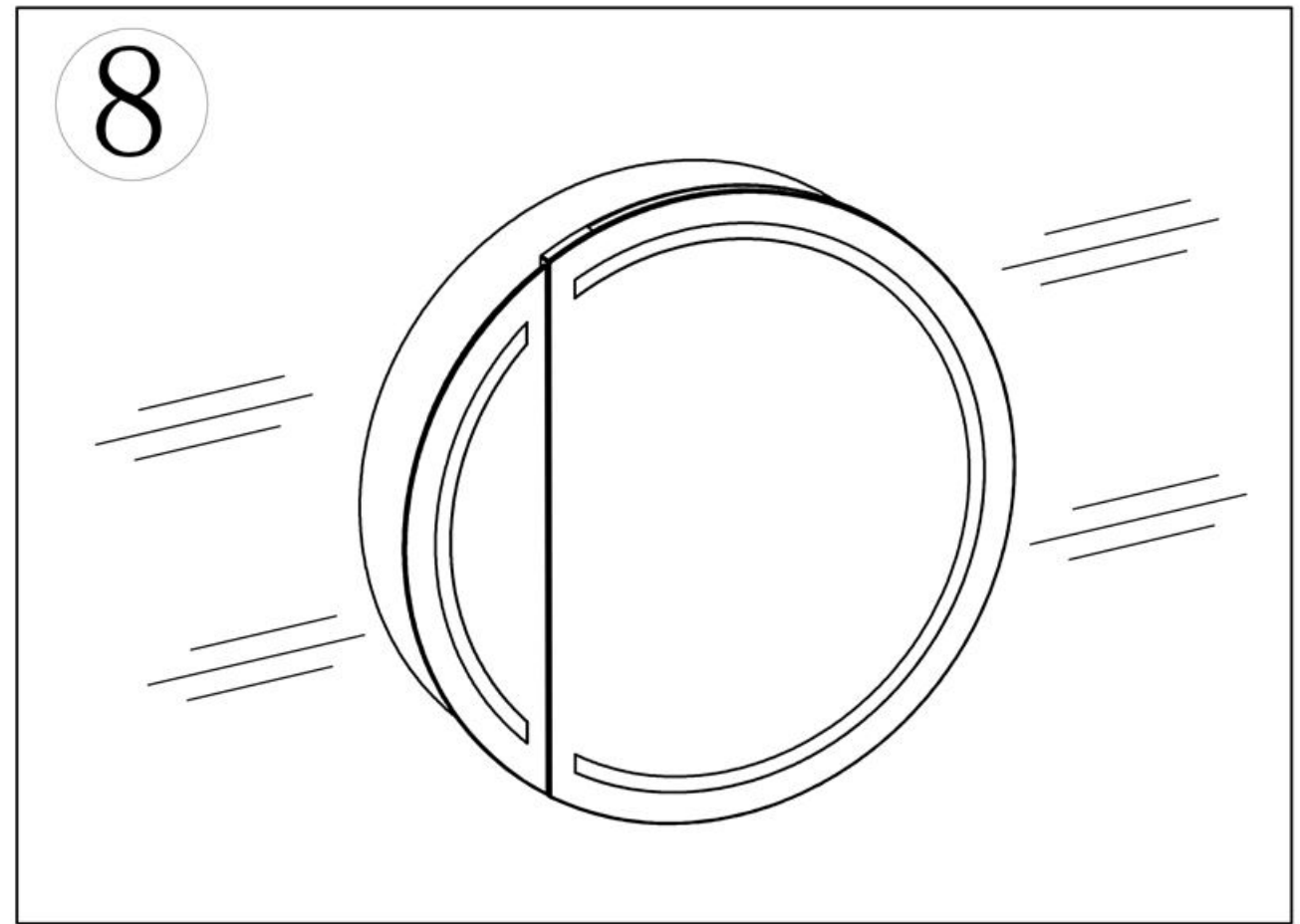
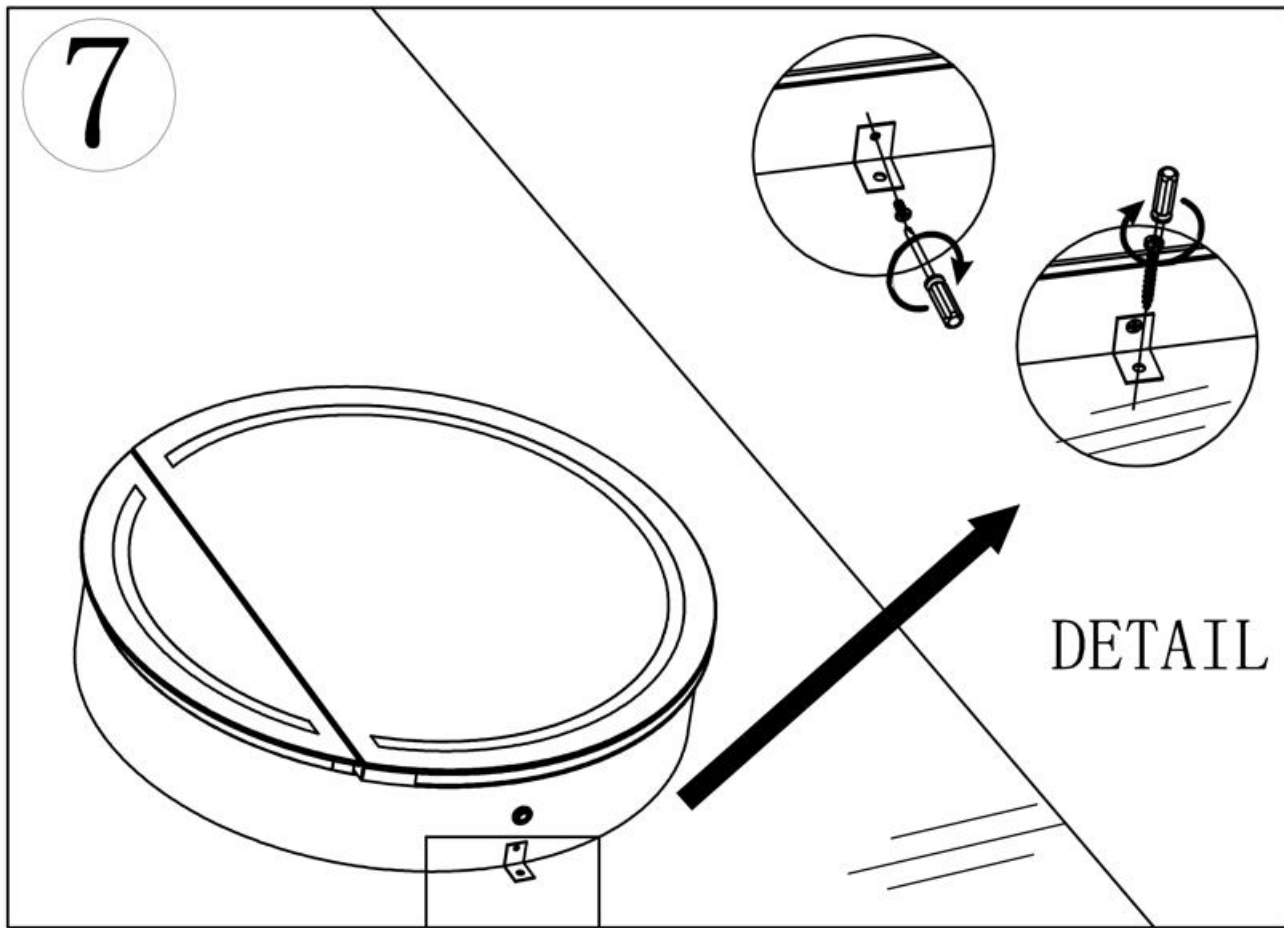
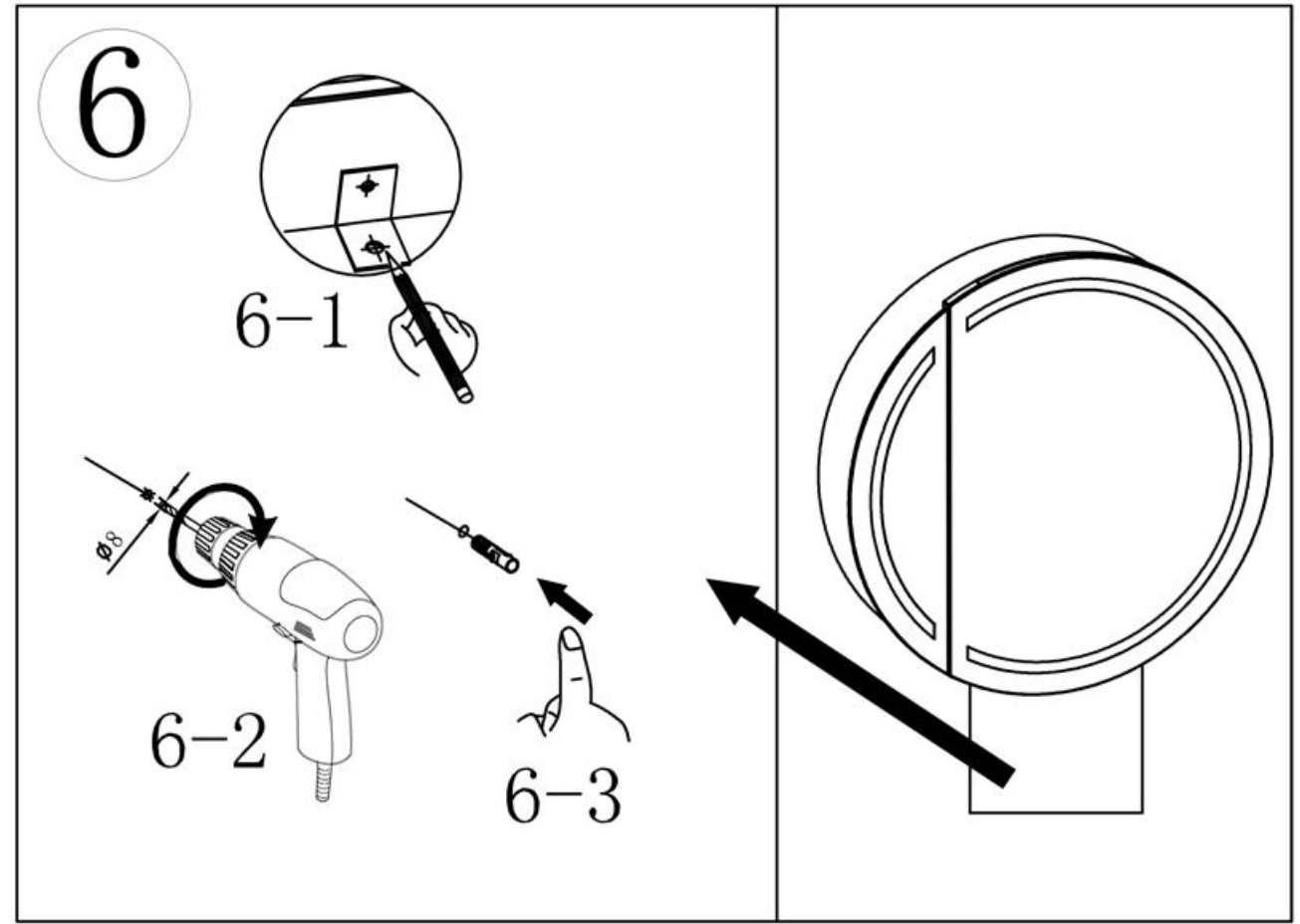
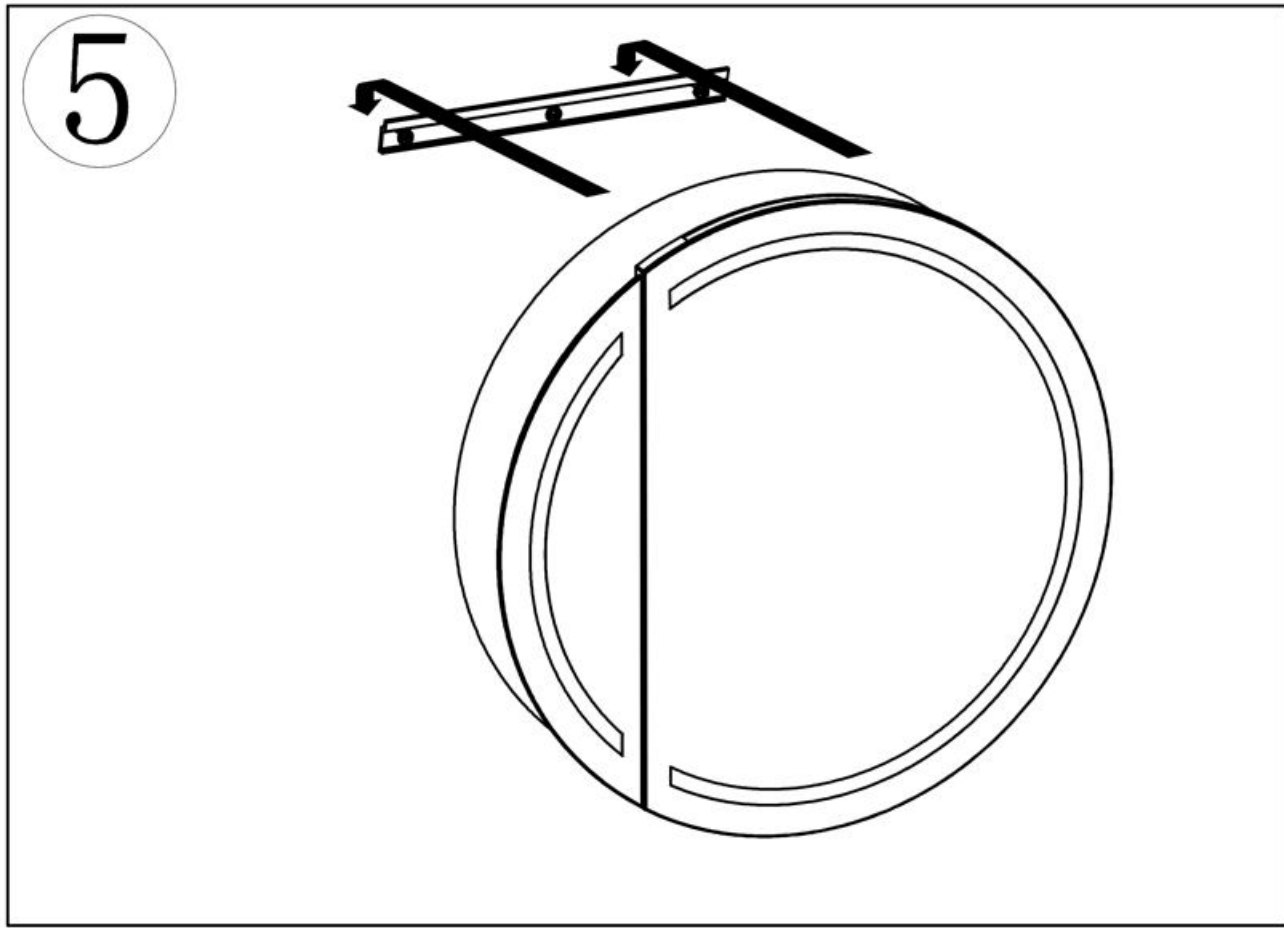


# The line drawings for BL10.060/GR10.060

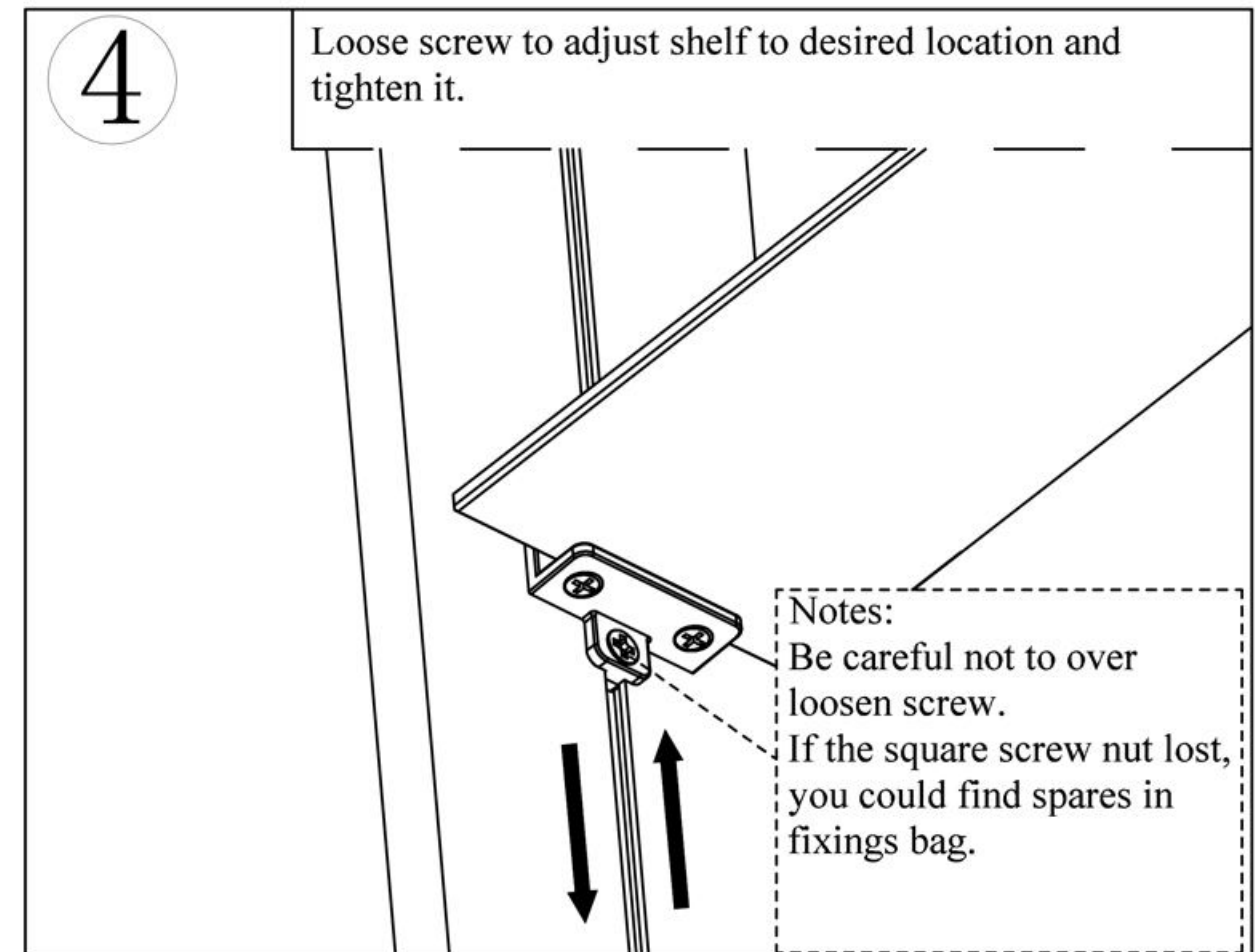
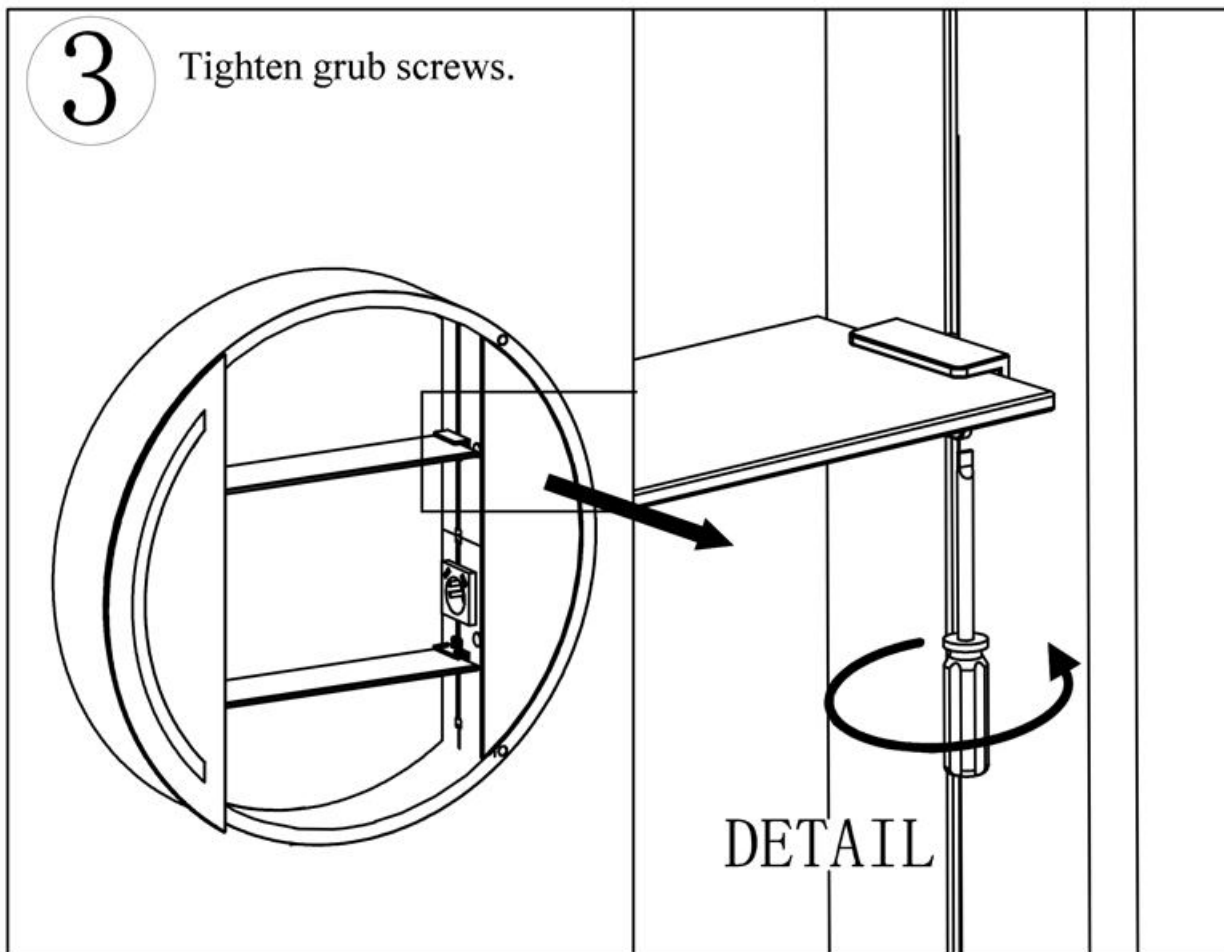
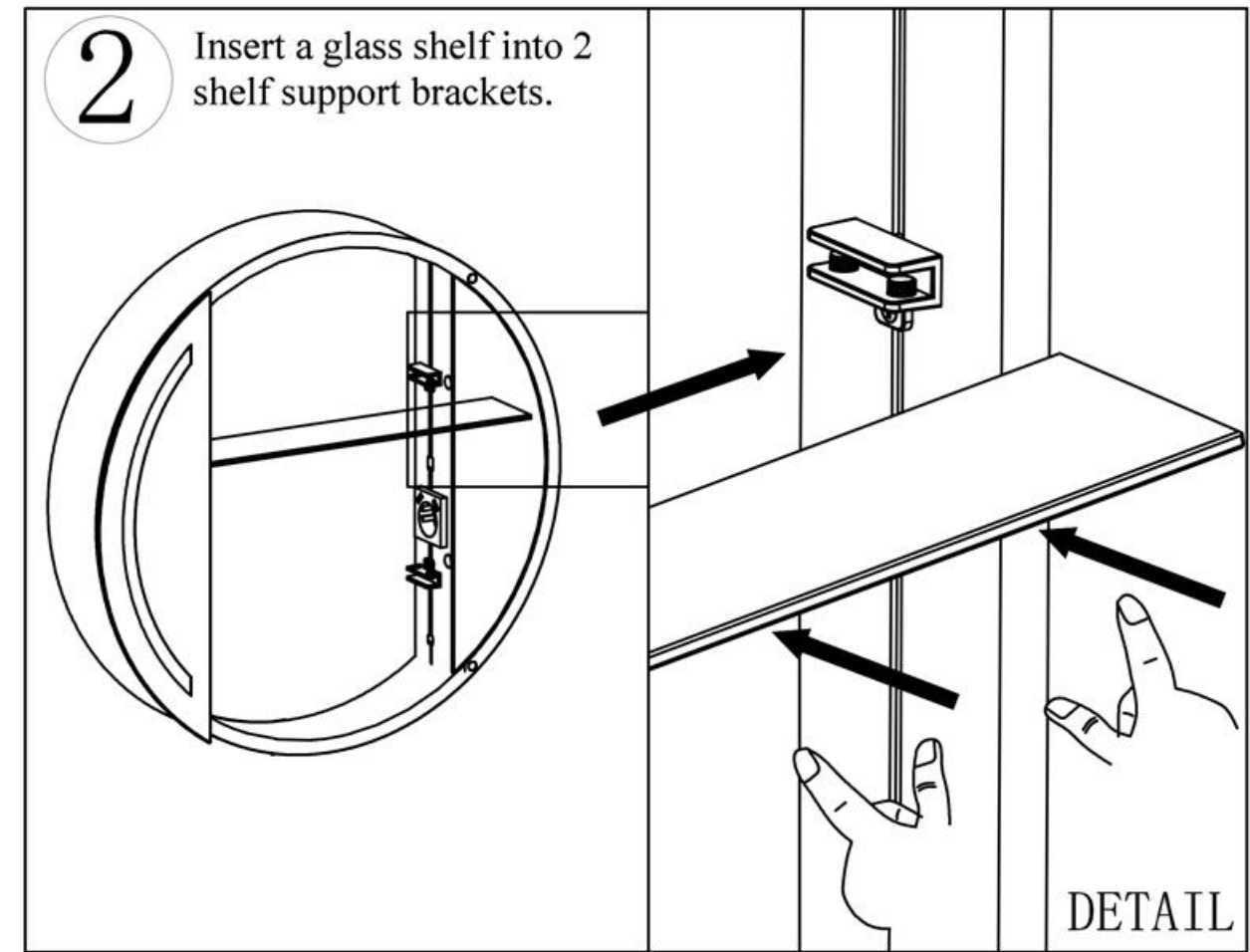
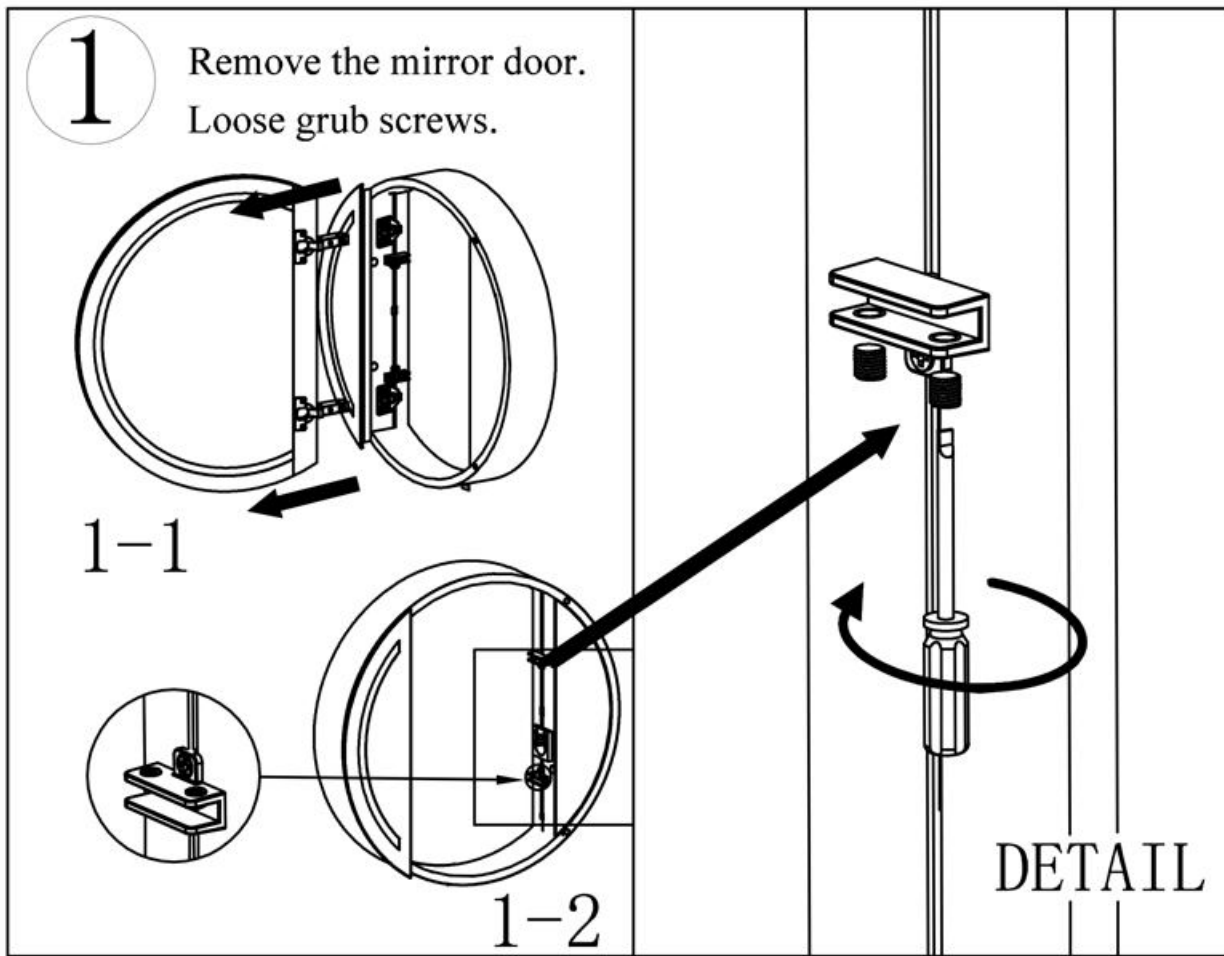


# INSTALLATION INSTRUCTIONS

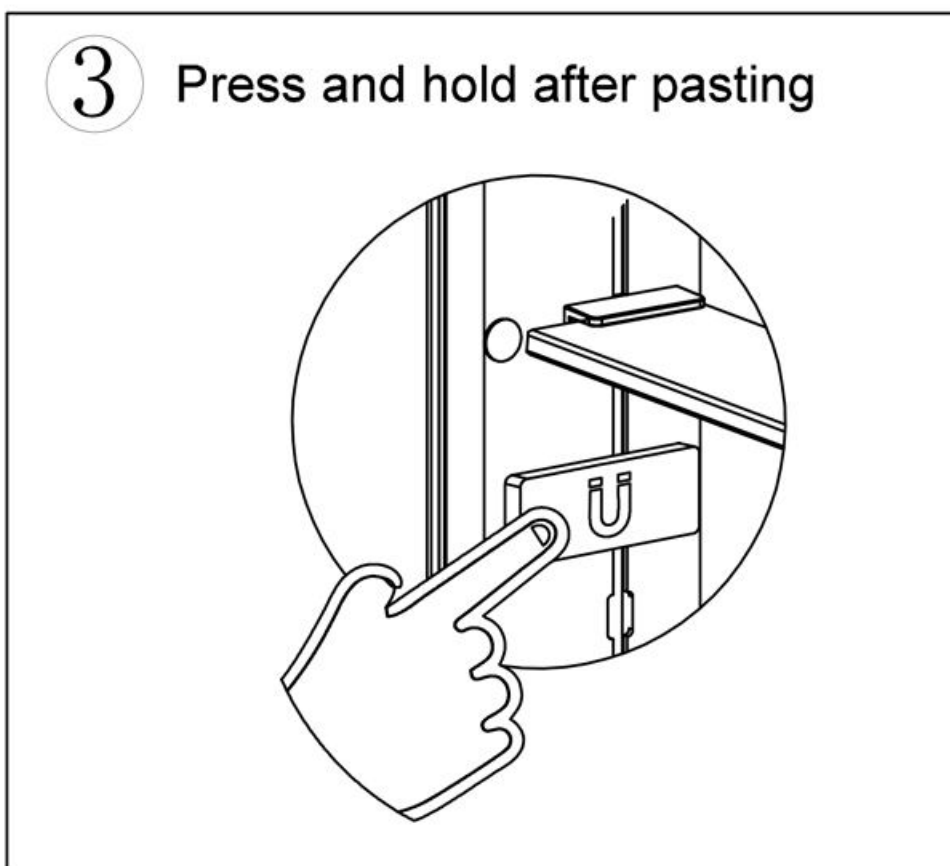
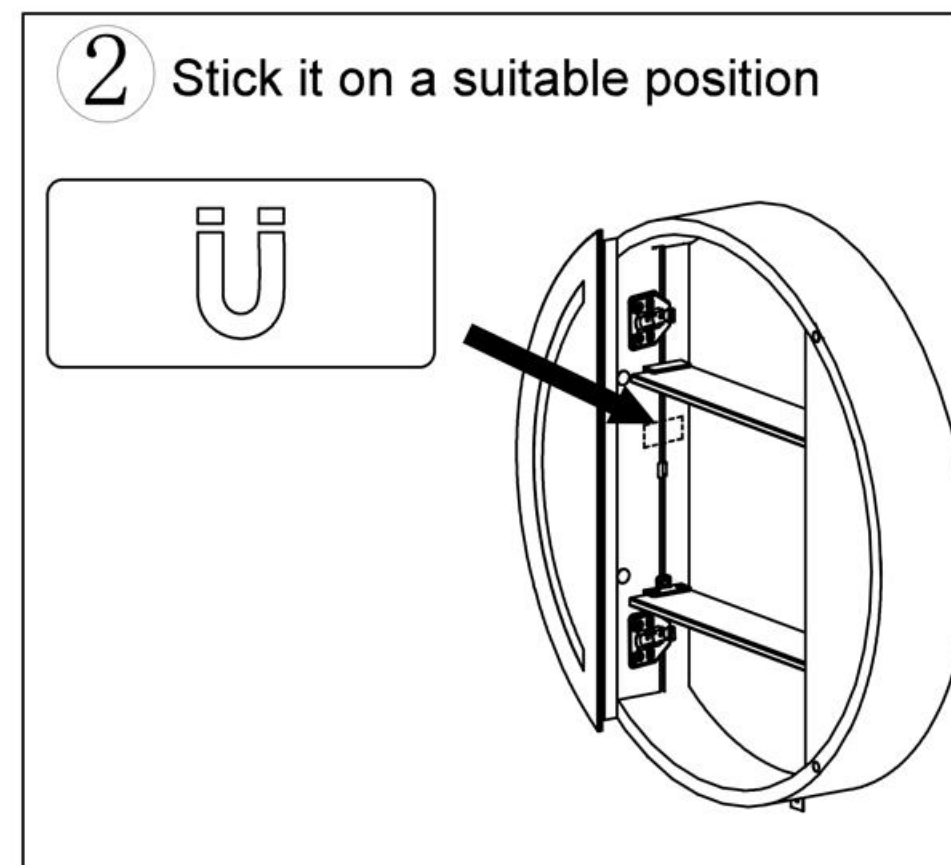
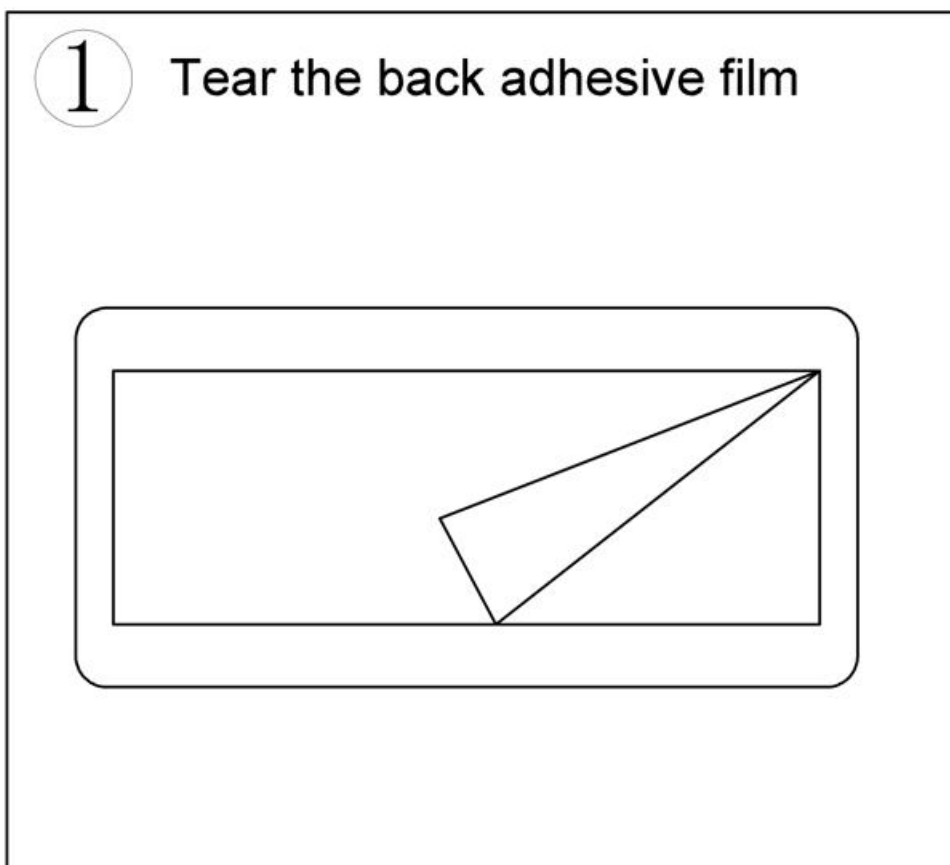




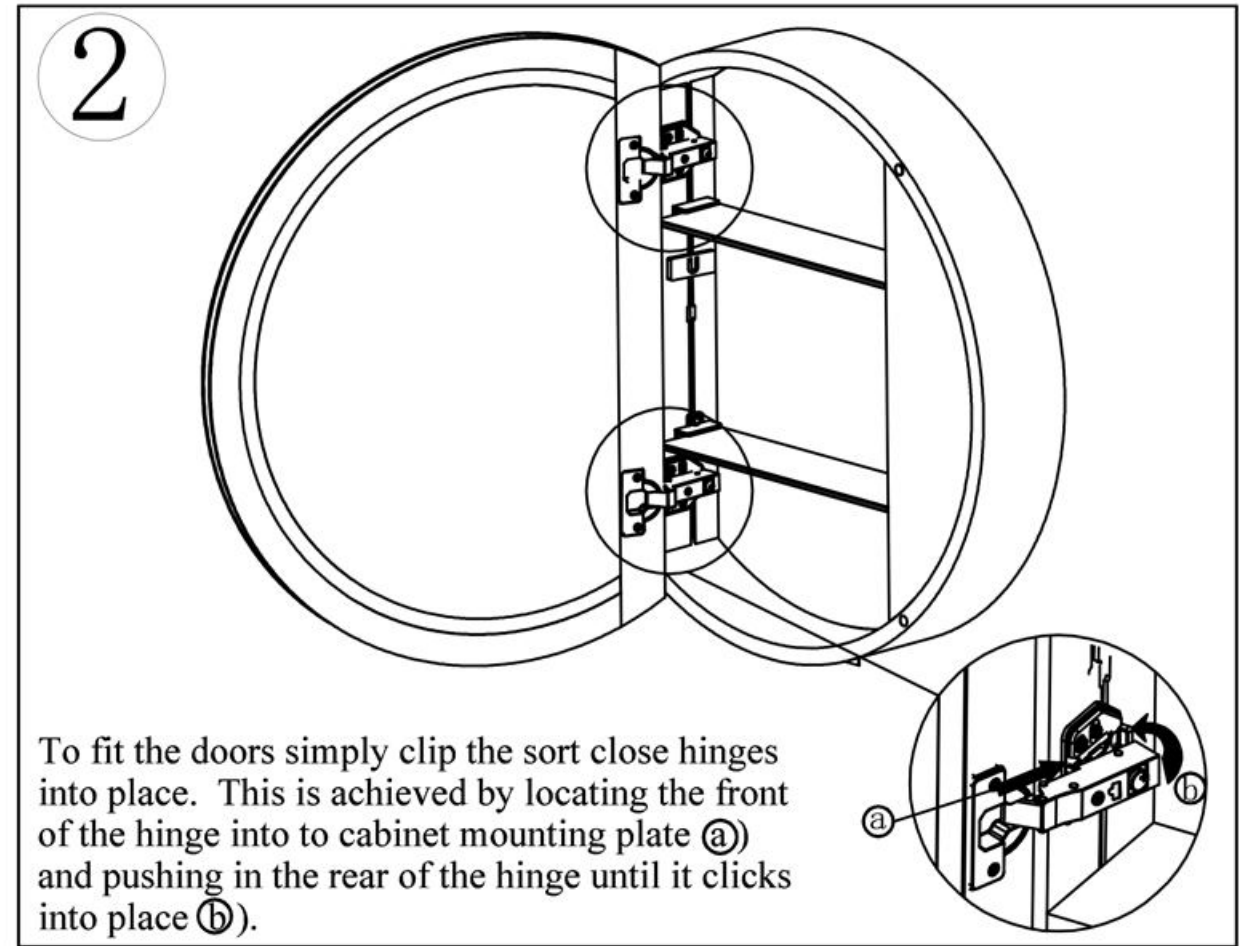
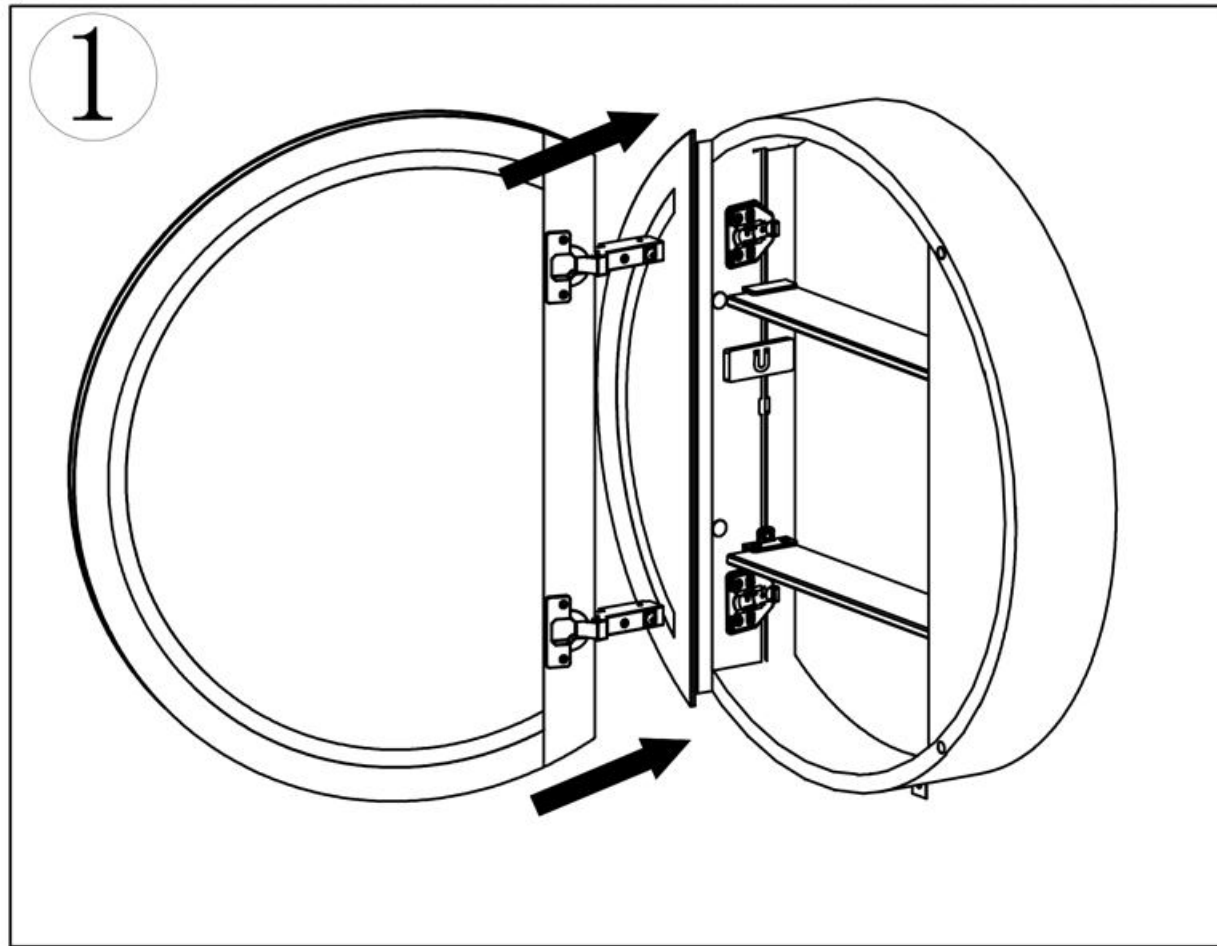
# FIXING INSTRUCTIONS FOR THE ADJUSTABLE GLASS SHELVES



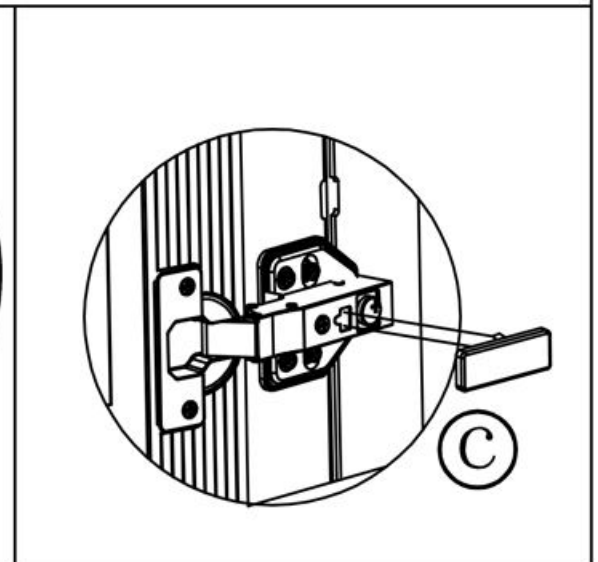
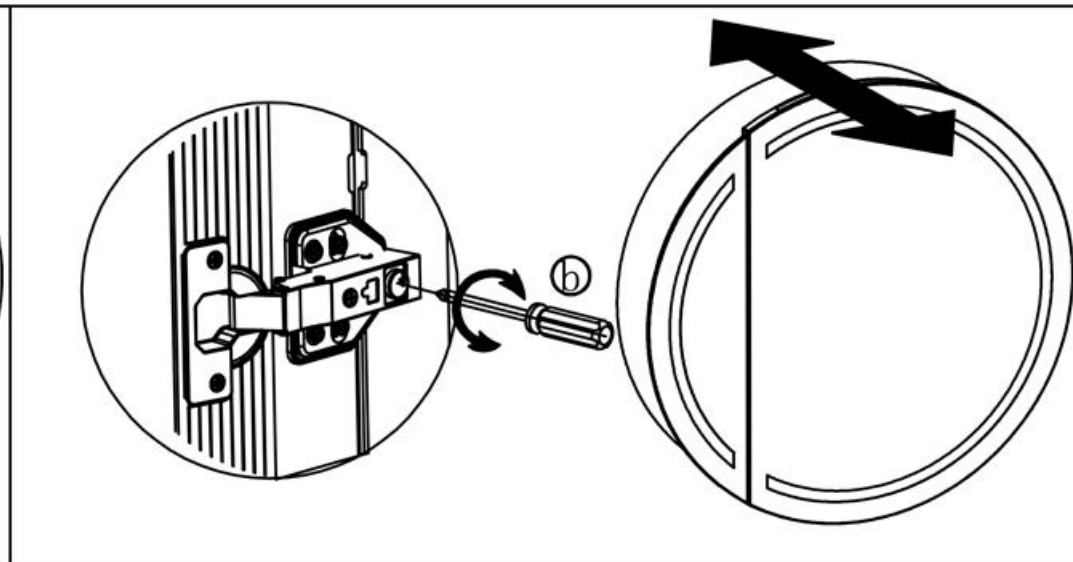
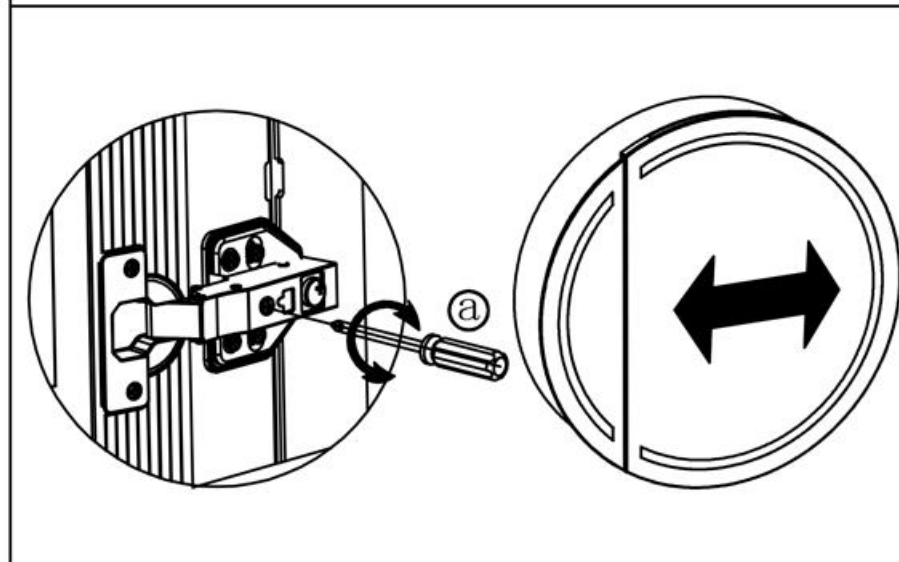
# MAGNETIC STRIP INSTALLATION INSTRUCTION



FIXING INSTRUCTIONS FOR THE MIRROR DOOR  
 (STRONGLY ADVICE TO INSTALL EACH DOOR WITH 2 PERSONS)



**3** Door Adjustment  
 There are two adjustments that can be made (a) ) will adjust the door left to right (b) ) will adjust the gap between the door and the cabinet.  
 Once you have correctly adjusted the door(s) simply clip on the hinge cover (c)



**CAUTION:** We recommend that you make sure the rear cable is not kinked or overlapped after installation to avoid potentially cracking the internal mirror.

